

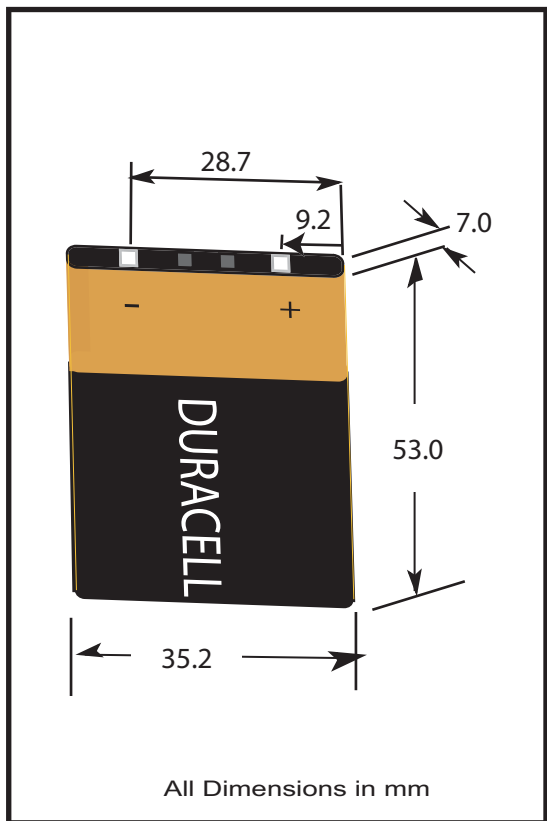
# DURACELL®

Lithium/Manganese Dioxide

# CP1

Prismatic

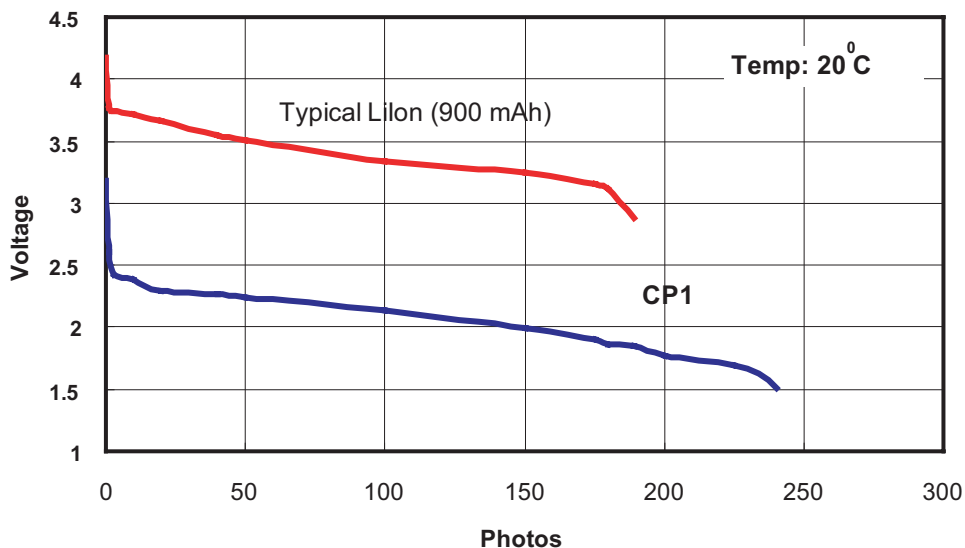
Li/MnO<sub>2</sub>



<b>Nominal Voltage:</b>	3.0 V
<b>Voltage Range:</b>	1.5-3.2 V
<b>Nominal Internal Impedance:</b>	200 Milliohm @ 1kHz
<b>Average Weight:</b>	28 gm
<b>Volume:</b>	13 cm <sup>3</sup>
<b>Terminals:</b>	Flat, Recessed Terminal, Nickel Plated Steel
<b>Operating Temperature Range:</b>	-10°C to 60°C (14°F to 140°F)
<b>ANSI/IEC</b>	TBD

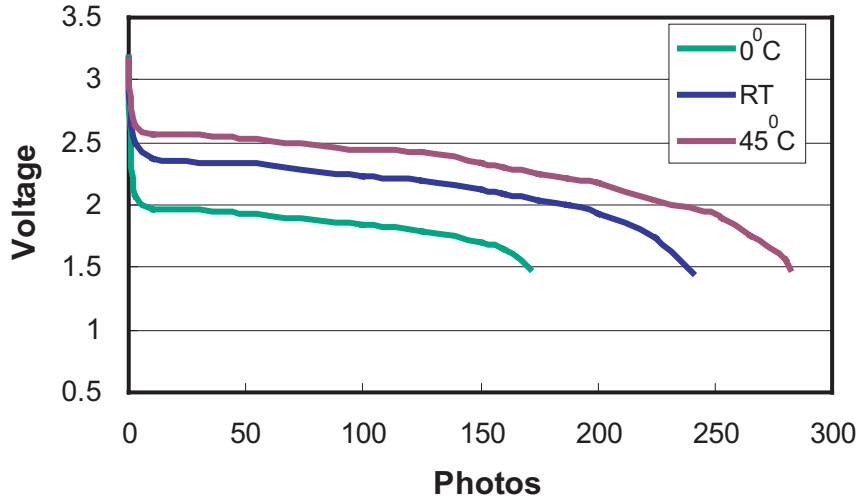
3 Watt Digital Camera Simulation Test			
FLASH ON - LCD ON			
Function		Power (Watt)	Time (sec)
LCD	Step 1	2.9	0.5
Zoom	Step 2	4.9	0.5
Process	Step 3	2.9	1
AF	Step 4	4.9	0.5
Process	Step 5	2.9	1
Shutter	Step 6	6	0.1
Process	Step 7	2.9	1
Flash	Step 8	5	1
Process	Step 9	3	0.4
LCD	Step 10	2.9	14
Rest	Step 11	0	40
<b>Weighted Avg</b>		3.1	

### Comparison of CP1 vs Lilon (single charge) in Digital Camera simulation test

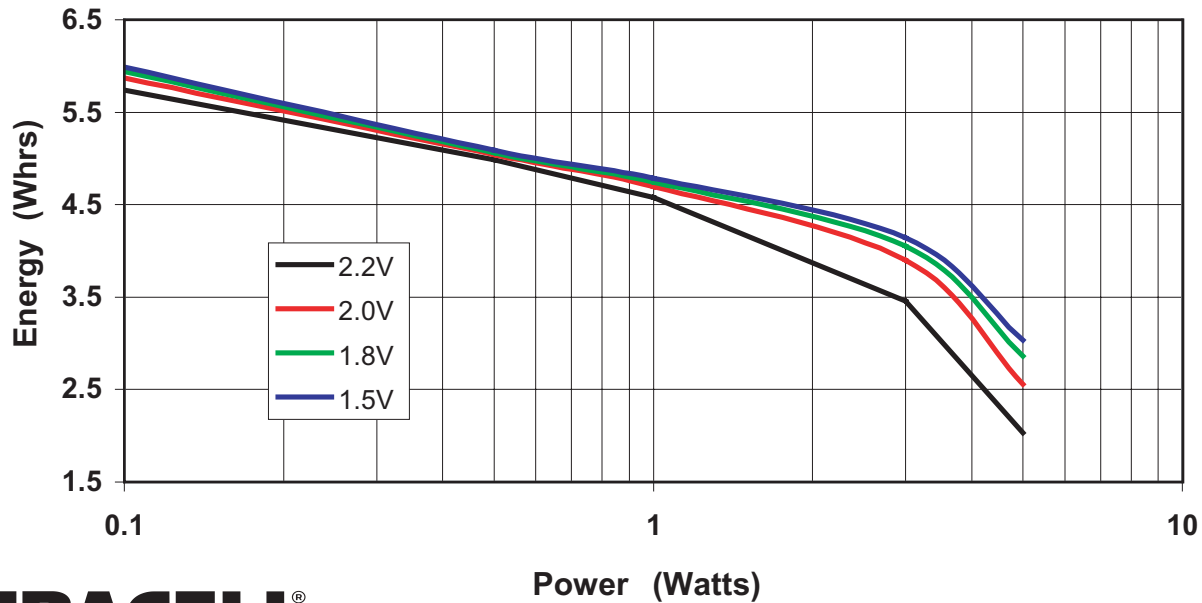


\* Delivered capacity is dependent on the applied load, operating temperature and cut-off voltage. Please refer to the charts and discharge data shown for examples of the energy / service life that the battery will provide for various load conditions.

### 3.1 Watt Digital Camera simulation @ Various Temperatures



### Delivered Energy vs Power Drain



**DURACELL®**  
BATTERIES

Berkshire Corporate Park  
Bethel, CT 06801 U.S.A.  
Telephone: Toll-free 1-800-544-5454  
Internet: [www.duracell](http://www.duracell)

\* Delivered capacity is dependent on the applied load, operating temperature and cut-off voltage. Please refer to the charts and discharge data shown for examples of the energy / service life that the battery will provide for various load conditions.