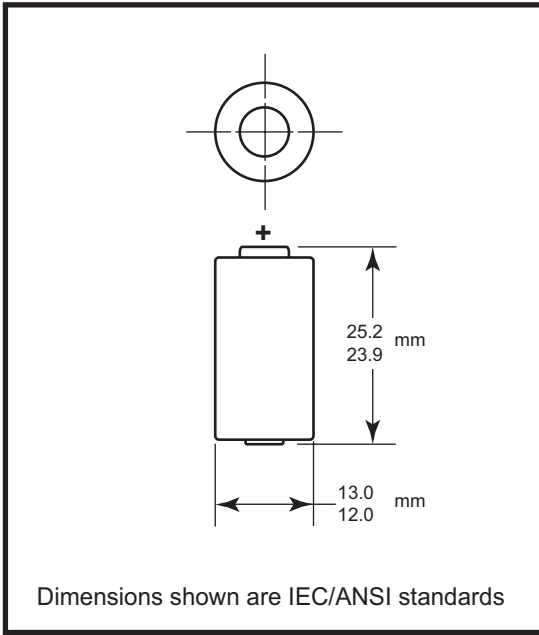
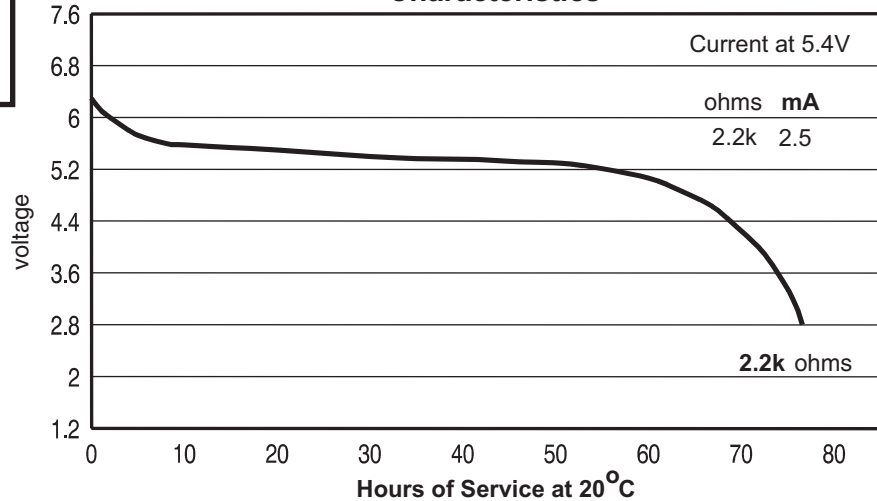


## Lithium/Manganese Dioxide Battery

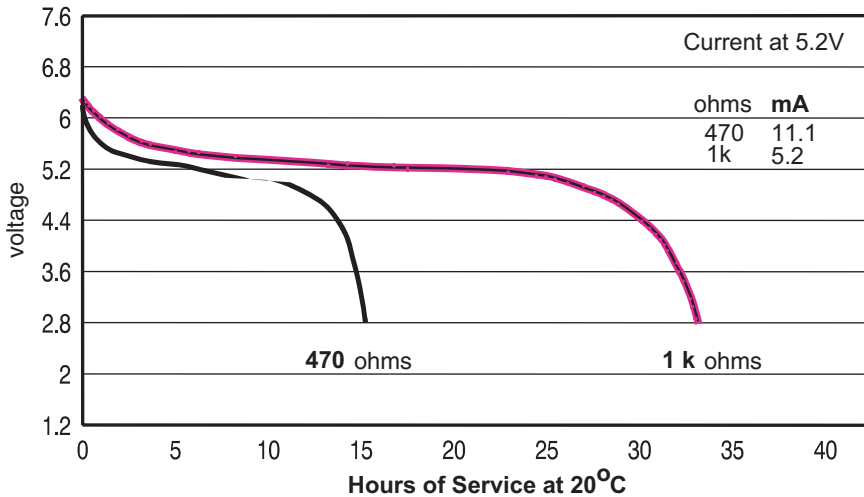


Nominal Voltage:	6.0 V
Typical Voltage:	6.0-6.6 V
Nominal Internal Impedance:	700 m-ohm @ 1kHz
Average Weight:	9.4 gm
Volume:	2.8 cm <sup>3</sup>
Terminals:	Flat, cap and base
Operating Temperature Range:	-20°C to 60°C (-4°F to 140°F)
NEDA/ANSI:	1406LC
IEC:	2CR11108

**Typical Discharge Characteristics**



**Typical Discharge Characteristics**



**DURACELL®**  
BATTERIES

Berkshire Corporate Park  
Bethel, CT 06801 U.S.A.  
Telephone: Toll-free 1-800-544-5454  
Internet: [www.duracell.com](http://www.duracell.com)

\* Delivered capacity is dependent on the applied load, operating temperature and cut-off voltage. Please refer to the charts and discharge data shown for examples of the energy / service life that the battery will provide for various load conditions.