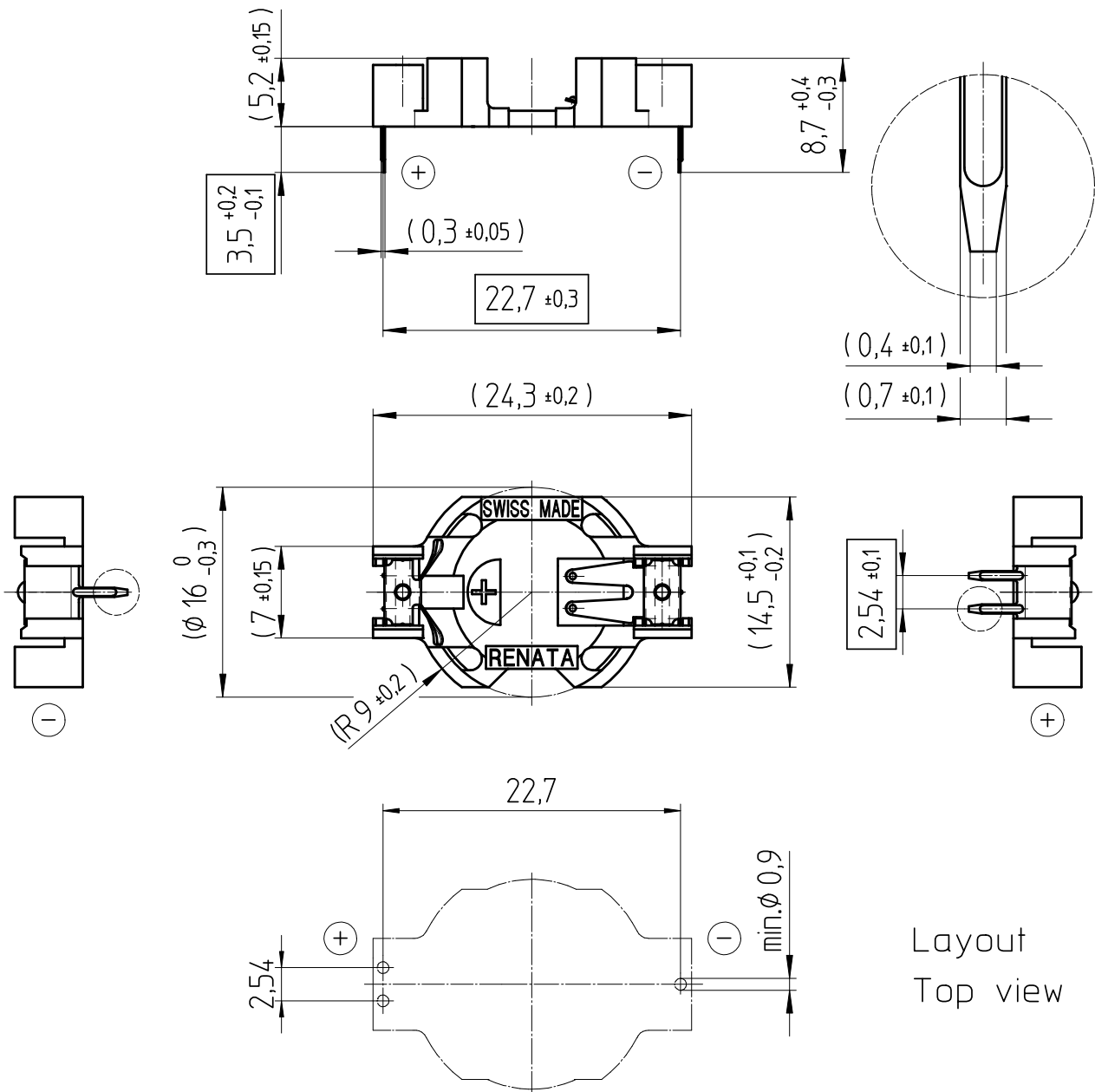


- Samples can deviate in the execution from the serie.



Layout
Top view

Holder material : heat resistant, glass-fiber reinforced LCP
 Battery contacts : spring stainless steel 301 nickel plated, thickness 10 μ m
 Solder contacts : spring stainless steel 301 solder plated throughout 100% Sn, thickness 10 μ m

All framed values will be used for dimension checking !

Dimensions and tolerances can be specified only after the testing of the devices for the mass production definitely

Rev.	<input type="radio"/>		Rev.	<input type="radio"/>			Customer's Approval		
Rev.	<input type="radio"/>		Rev.	<input type="radio"/>			Date		
Rev.	<input type="radio"/>		Rev.	<input type="radio"/>			Signature		
Titel:						Scale 2:1	Drawn	06.04.05	SRi
HU1632-LF							Checked	06.04.05	MHo
							Approved		
						CH-4452 Itingen Switzerland		3.8812.4-	