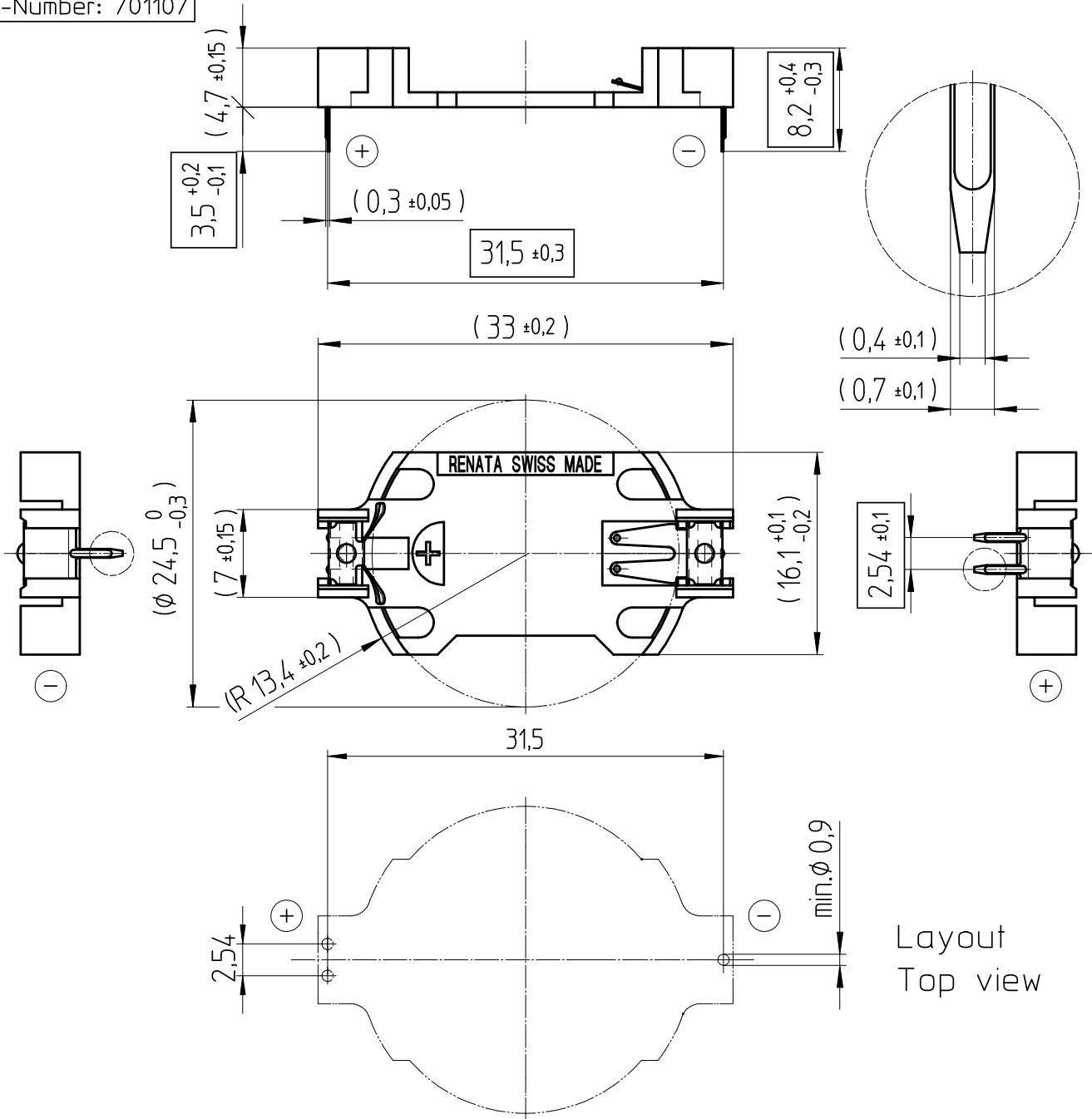


Art.-Number: 701107



- Samples can deviate in the execution from the serie.

- Dimensions and tolerances can be specified only after the testing of the devices for the mass production definitely

Holder material : heat resistant, glass-fiber reinforced LCP  
 Battery contacts : spring stainless steel 301 nickel plated, thickness 10µm  
 Solder contacts : spring stainless steel 301 solder plated throughout 100% Sn, thickness 10µm

All framed values will be used for dimension checking !

Rev.	<input type="radio"/>		Rev.	<input type="radio"/>			Customer's Approval			
Rev.	<input type="radio"/>		Rev.	<input type="radio"/>			Date			
Rev.	<input type="radio"/>		Rev.	<input type="radio"/>			Signature			
Titel:						Scale	Drawn	21.01.05	SRi	
HU2430-LF							2:1	Checked		
							Approved	02.02.05	MHo	
						CH-4452 Itingen		3.8752.4-		
						Switzerland				