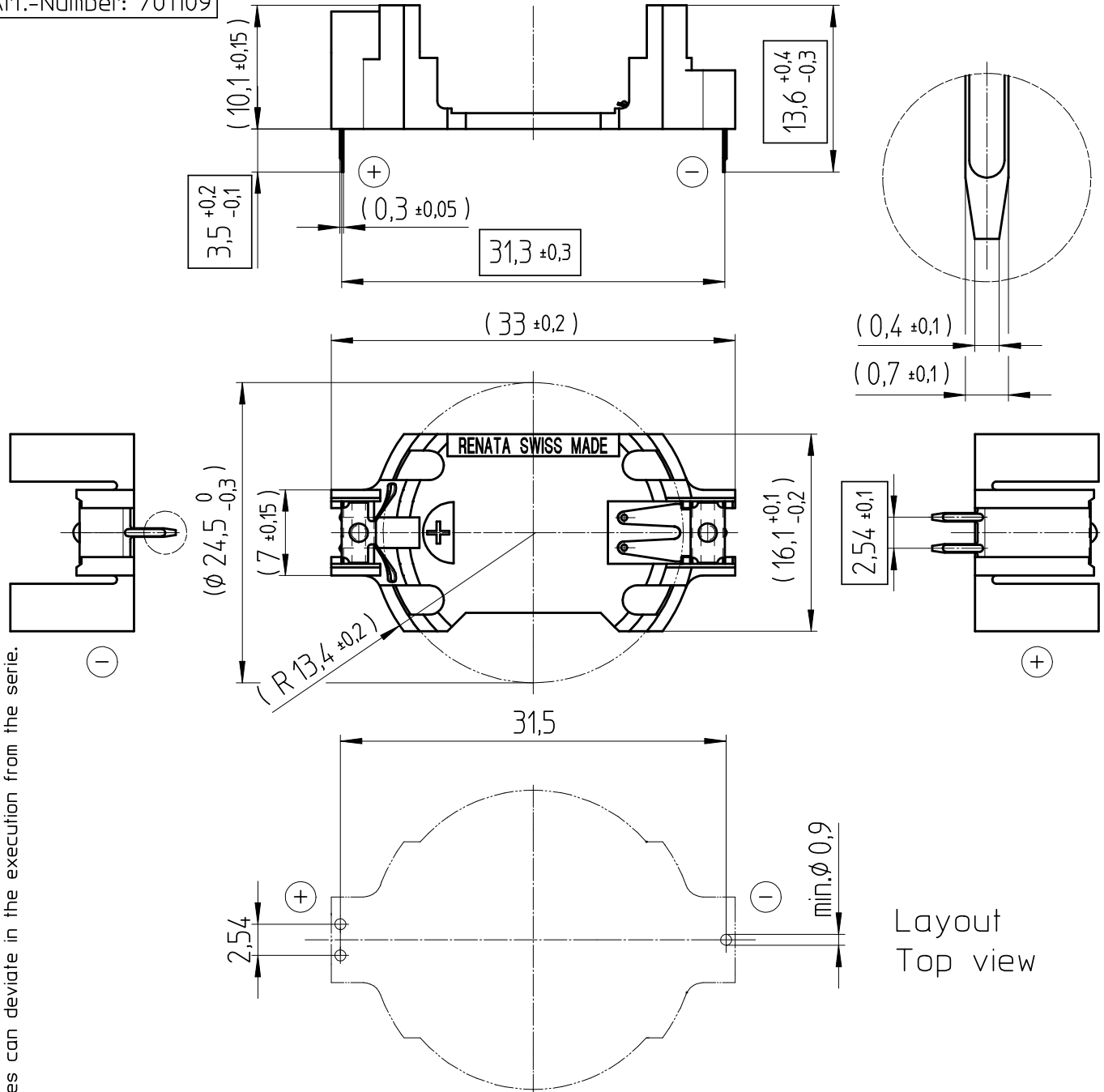


Art.-Number: 701109



Layout
Top view

- Samples can deviate in the execution from the serie.

- Dimensions and tolerances can be specified only after the testing of the devices for the mass production definitely

Holder material : heat resistant, glass-fiber reinforced LCP

Battery contacts : spring stainless steel 301 nickel plated, thickness 10 μ m

Solder contacts : spring stainless steel 301 solder plated throughout 100% Sn, thickness 10 μ m

All framed values will be used for dimension checking !

Rev.	<input type="radio"/>		Rev.	<input type="radio"/>			Customer's Approval		
Rev.	<input type="radio"/>		Rev.	<input type="radio"/>			Date		
Rev.	<input type="radio"/>		Rev.	<input type="radio"/>			Signature		
Titel:						Scale 2:1	Drawn	21.01.05	SRi
HU2477N-LF							Checked		
							Approved	02.02.05	MHo
						CH-4452 Itingen Switzerland		3.8754.4-	