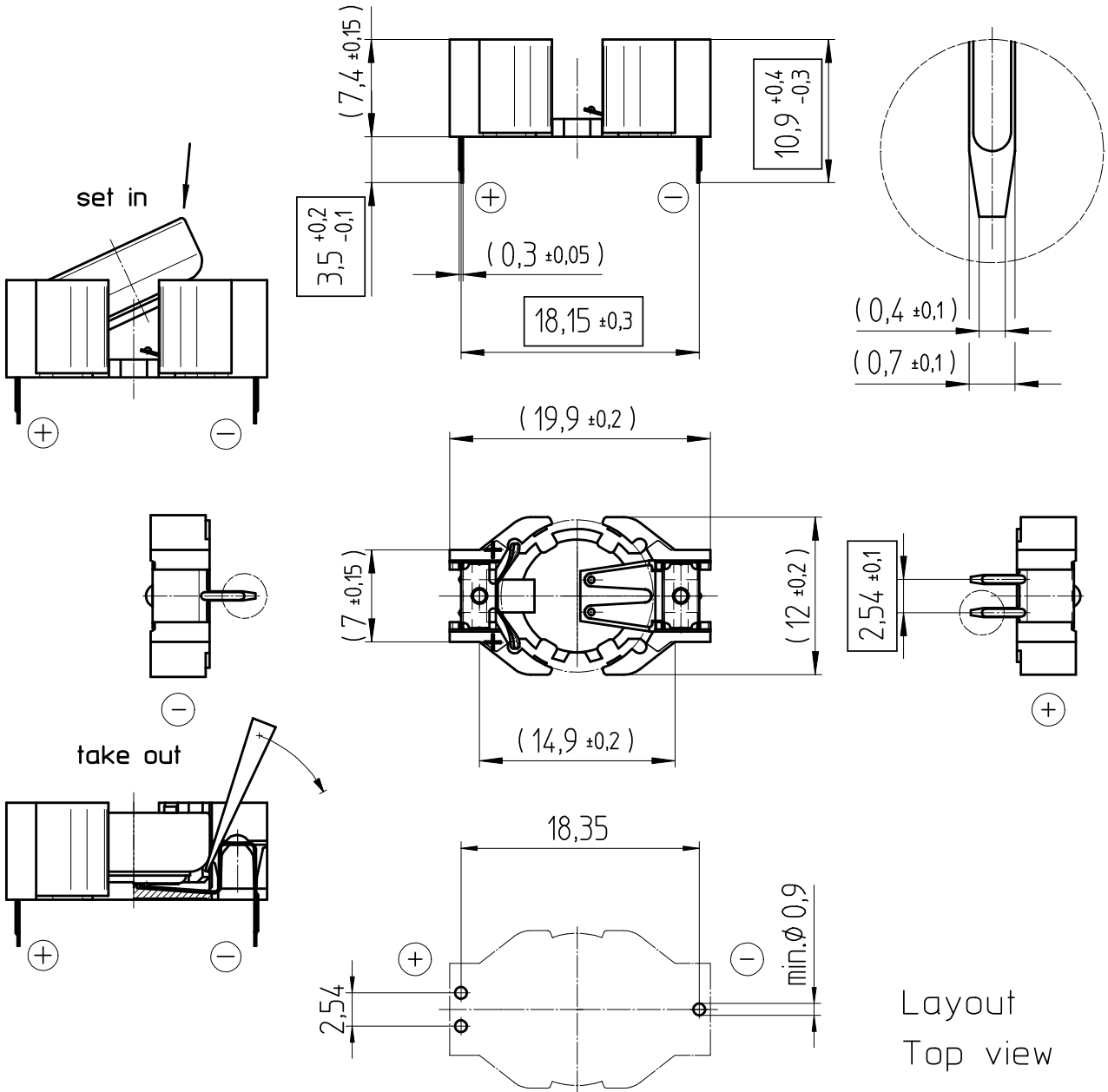


Art.-Number: 701133



- Samples can deviate in the execution from the serie.

- Dimensions and tolerances can be specified only after the testing of the devices for the mass production definitely

Holder material : heat resistant, glass-fiber reinforced LCP
 Battery contacts : spring stainless steel 301 nickel plated, thickness 10µm
 Solder contacts : spring stainless steel 301 solder plated throughout 100% Sn, thickness 10µm

All framed values will be used for dimension checking !

| | | | | | | | | | |
|----------|-----------------------|--|------|-----------------------|--|--------------------------------|---------------------|-----------|-----|
| Rev. | <input type="radio"/> | | Rev. | <input type="radio"/> | | | Customer's Approval | | |
| Rev. | <input type="radio"/> | | Rev. | <input type="radio"/> | | | Date | | |
| Rev. | <input type="radio"/> | | Rev. | <input type="radio"/> | | | Signature | | |
| Titel: | | | | | | Scale 2:1 | Drawn | 01.12.05 | SRi |
| HU357-LF | | | | | | | Checked | 01.12.05 | DRo |
| | | | | | | | Approved | | |
| | | | | | | CH-4452 Itingen Switzerland | | 3.8923.4- | |