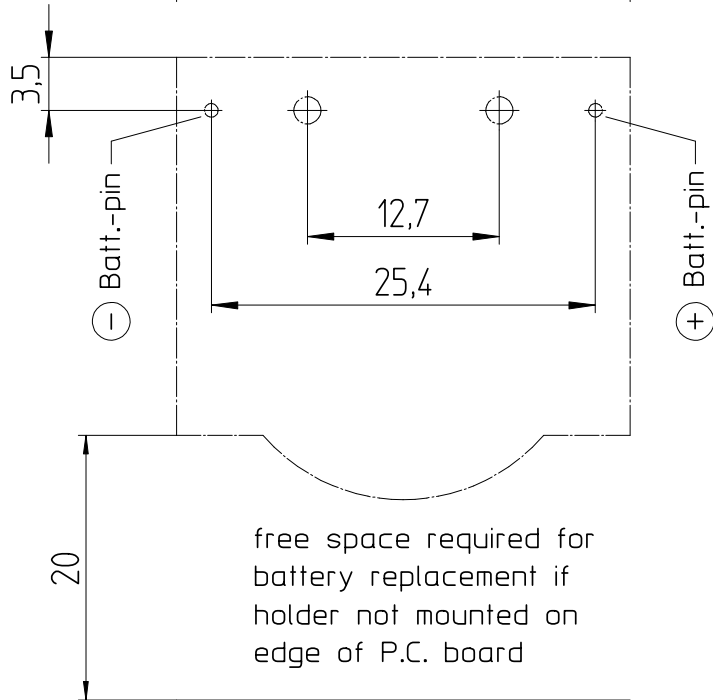
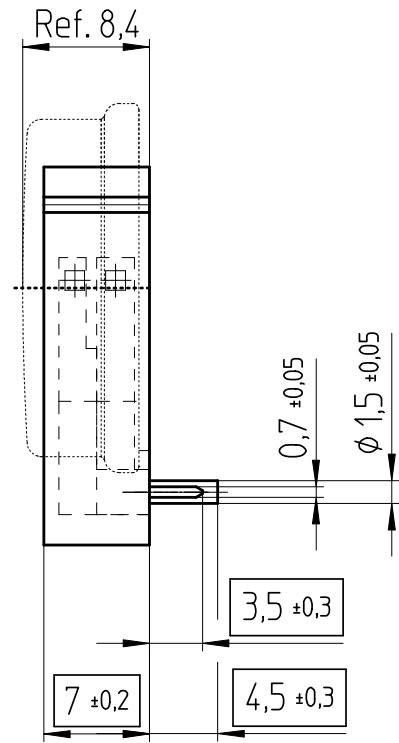
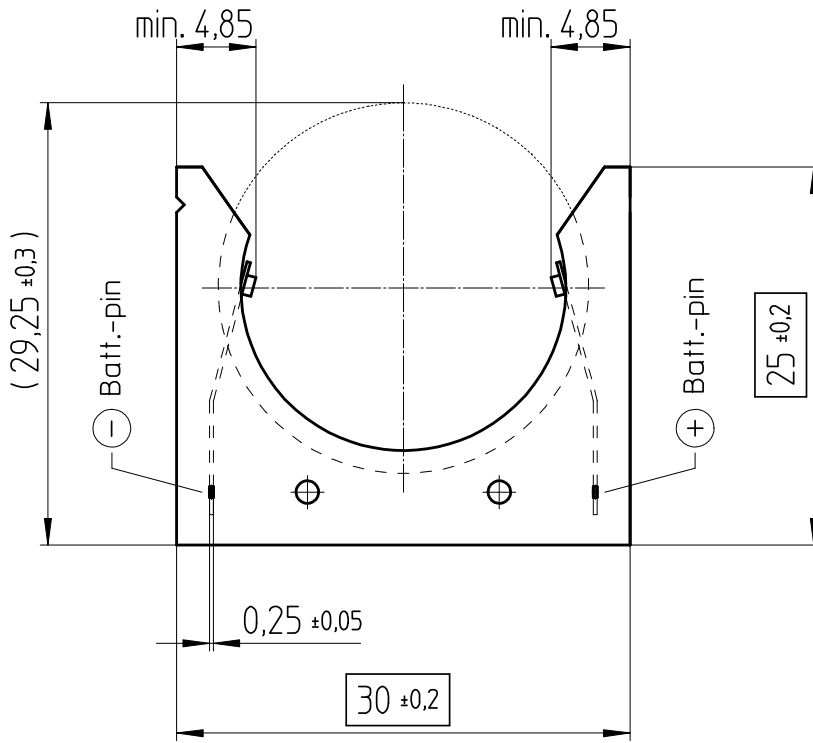


Art.-Number: 701112



layout top view

free space required for battery replacement if holder not mounted on edge of P.C. board

Contact materials:
 Battery contacts : Ni 99,6
 Solder pins: tin-plated 100% Sn

- Samples can deviate in the execution from the serie.

- Dimensions and tolerances can be specified only after the testing of the devices for the mass production definitely

All framed values will be used for dimension checking !

Rev.	①	03.04.08	SRi	Rev.	○			Customer's Approval		
Rev.	○			Rev.	○			Date		
Rev.	○			Rev.	○			Signature		
Titel: NL5077-LF							Scale 2:1	Drawn	24.01.05	SRi
								Checked	03.04.08	JLSch
								Approved		
							CH-4452 Itingen Switzerland		3.8756.4-1	