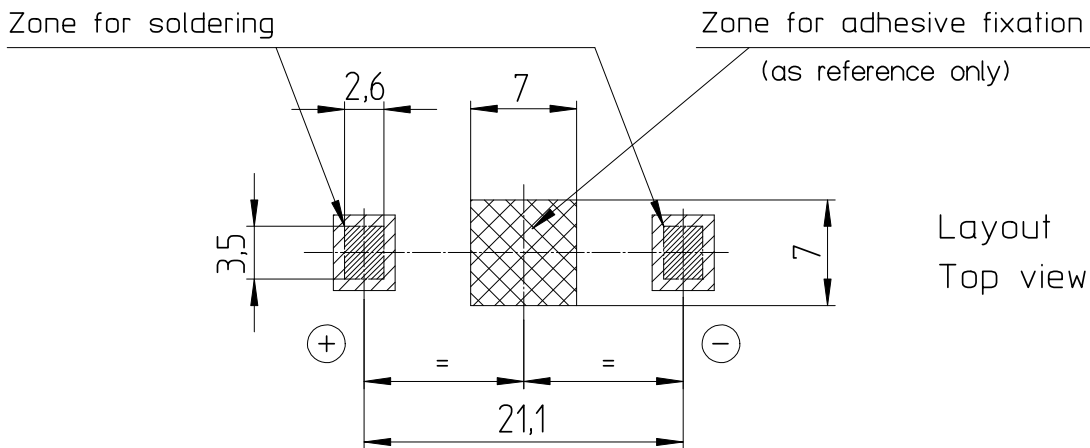
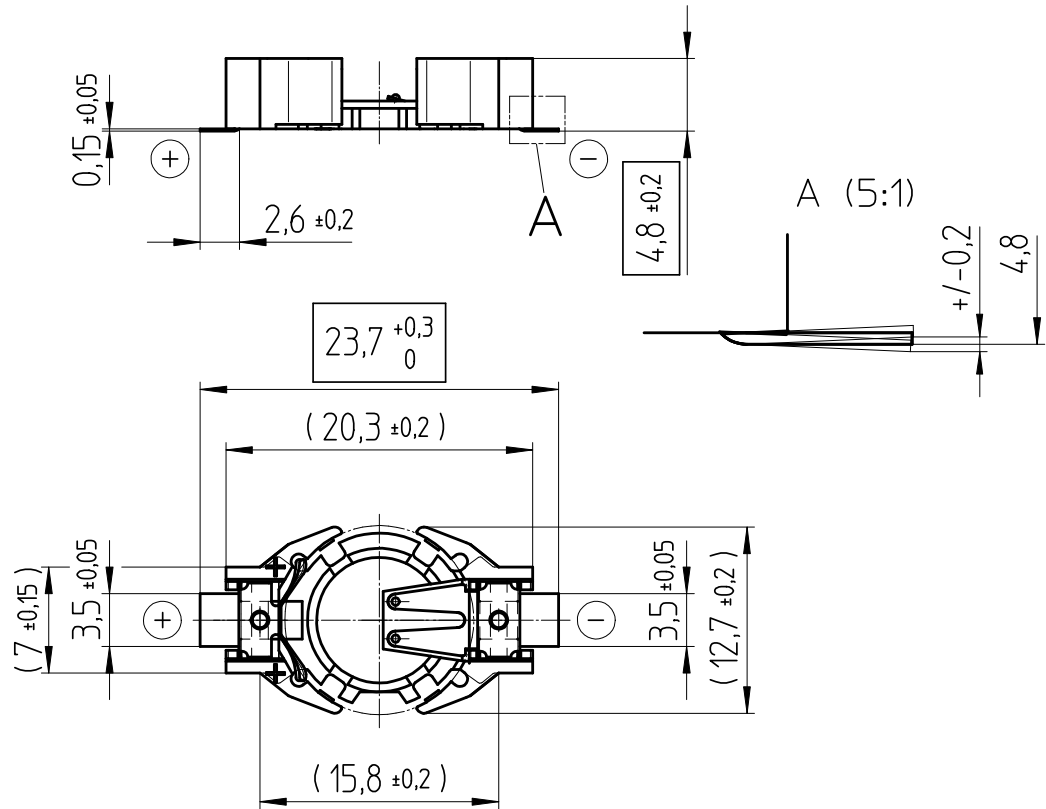


Art.-Number: 701114



- Samples can deviate in the execution from the serie.

- Holder material : heat resistant, glass-fiber reinforced LCP
- Battery contacts : spring stainless steel 301 nickel plated, thickness 10µm
- Solder contacts : spring stainless steel 301 solder plated throughout 100% Sn, thickness 10µm

- Dimensions and tolerances can be specified only after the testing of the devices for the mass production definitely

All framed values will be used for dimension checking !

Rev.	○		Rev.	○			Customer's Approval			
Rev.	○		Rev.	○			Date			
Rev.	○		Rev.	○			Signature			
Titel:							Scale 2:1	Drawn	25.01.05	SRi
SMTU1220-LF								Checked		
								Approved	02.02.05	MHo
							CH-4452 Itingen Switzerland		3.8758.4-	