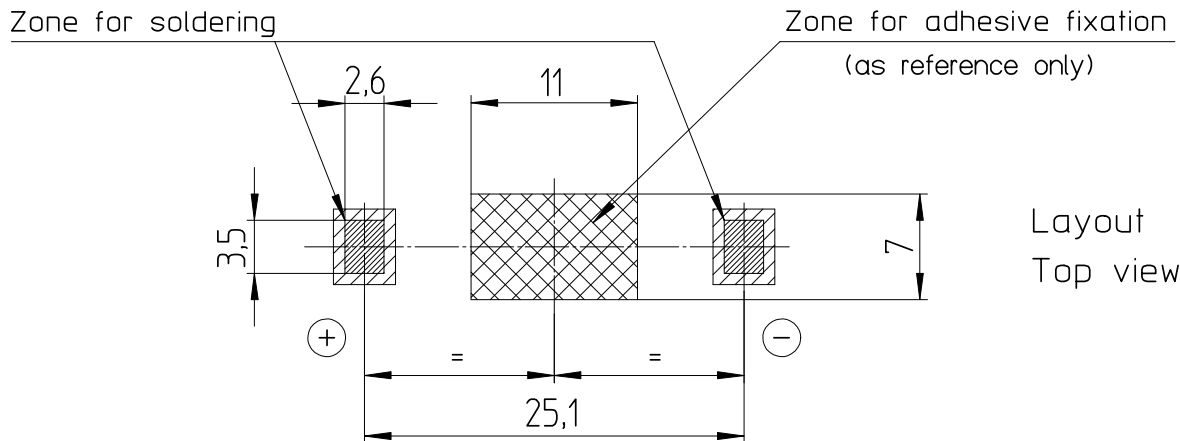
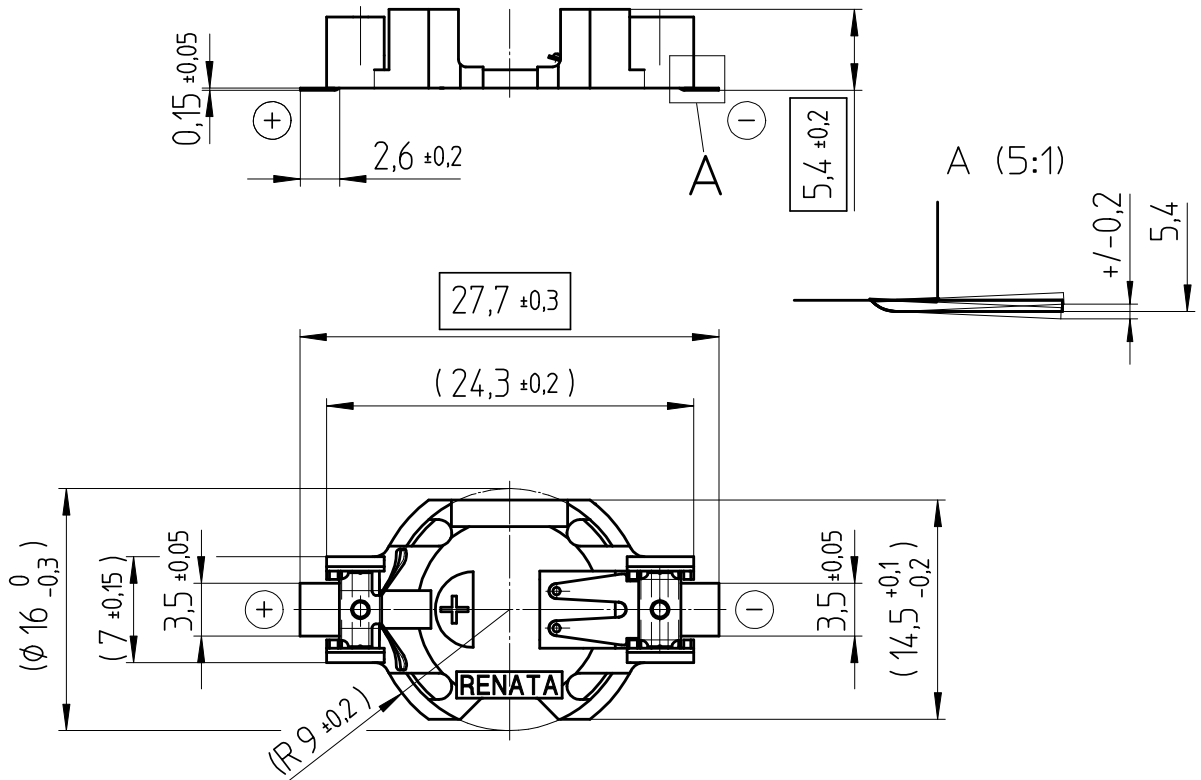


Art.-Number: 701130



Layout
Top view

- Samples can deviate in the execution from the serie.

Holder material : heat resistant, glass-fiber reinforced LCP

Battery contacts : spring stainless steel 301 nickel plated, thickness 10µm

Solder contacts : spring stainless steel 301 solder plated throughout 100% Sn, thickness 10µm

- Dimensions and tolerances can be specified only after the testing of the devices for the mass production definitely

All framed values will be used for dimension checking !

Rev.	①	07.09.07	MCI	Rev.	○			Customer's Approval Date Signature					
Rev.	②	24.10.07	SRi	Rev.	○						Drawn	06.04.05	SRi
Rev.	○			Rev.	○						Checked	24.10.07	BBö
Titel:								Scale	Approved	25.10.07	MHo		
<h1>SMTU1632-LF</h1>								2:1					
				CH-4452 Itingen Switzerland				<h2>3.8811.4-2</h2>					