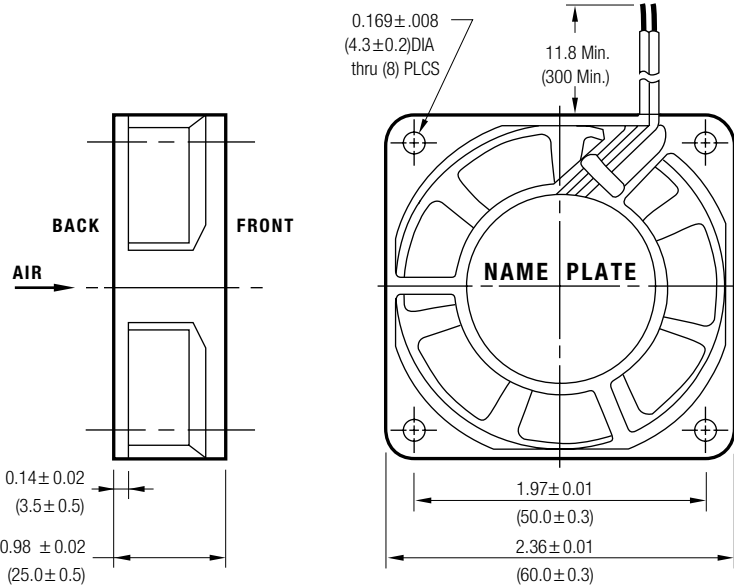


DC 2410ML Series Fan

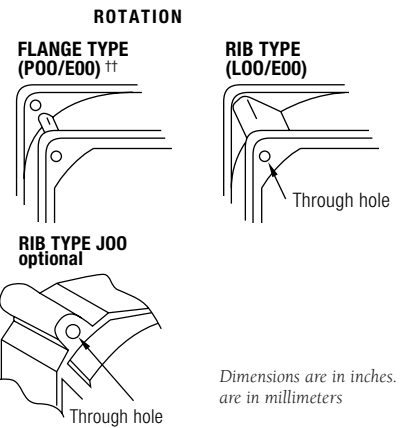
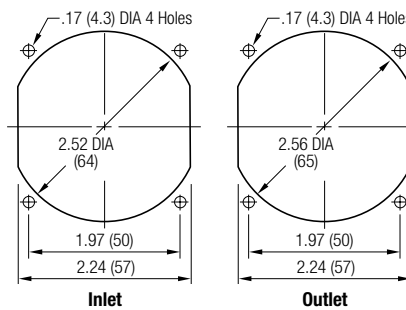


Features:

- Size 2.36 in sq. X 0.98 in (60mm sq. X 25mm)
- Airflow 14 - 25 CFM
- Weight 2.2 oz (63g)
- Noise 23 - 36 dBA
- Lead Wire AWG 24, Red/Black, UL1007, CSA TR-64
AWG 26, Red/Black/White, for 3 lead wires

- Impeller and Venturi UL94V-0 Reinforced polybutylene plastic

- † Non-stock item, may be subject to lead time
- †† Rib-type is a non-stock item, may be subject to lead time



Dimensions are in inches. () are in millimeters

MODEL	VOLTAGE (V)	RANGE (V)	POWER (W)	CURRENT (mA)	SPEED (RPM)	NOISE (dBA)	NOISE NP(EL) (BELS)				PRESSURE (in H ₂ O)	AIRFLOW (CFM)	MODEL	VOLTAGE (V)	RANGE (V)	POWER (W max)	CURRENT (mA max)	SPEED (RPM)	NOISE (dBA)	NOISE NP(EL) (BELS)				PRESSURE (in H ₂ O)	AIRFLOW (CFM)
							100%	80%	60%	20%										100%	80%	60%	20%		
2410ML-04W-B10-P00	12	6-13.8	0.90	75	2950	23	4.05	4.46	4.25	4.22	0.08	14	2410ML-05W-B10-P00	24	10-27.6	1.4	60	2950	23	4.05	4.46	4.25	4.22	0.08	14
B20-P00 †	12	6-13.8	1.44	120	3600	28	4.55	4.89	4.91	4.66	0.13	17	B20-P00 †	24	10-27.6	1.7	70	3600	28	4.55	4.89	4.91	4.66	0.13	17
B30-P00	12	6-13.8	1.44	120	4000	31	4.70	5.06	4.92	4.83	0.16	19	B30-P00	24	10-27.6	1.9	60	4000	31	4.70	5.06	4.92	4.83	0.16	19
B40-P00 †	12	6-13.8	2.04	170	4550	34	4.77	5.31	5.24	5.31	0.21	22	B40-P00 †	24	10-27.6	2.2	90	4550	34	4.77	5.31	5.24	5.31	0.21	22
B50-E00	12	6-13.8	2.4	200	5050	39	-	-	-	-	0.25	23	B50-E00	24	10-27.6	2.4	200	5050	39	-	-	-	-	0.25	23
B60-E00	12	6-13.8	2.9	240	5400	40	-	-	-	-	0.29	25	B60-E00	24	10-27.6	2.9	240	5400	40	-	-	-	-	0.29	25

