



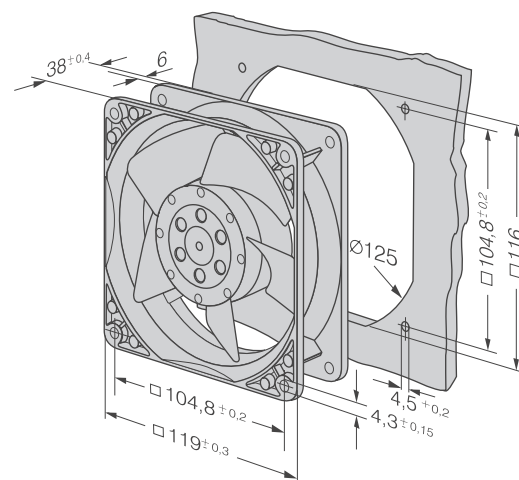
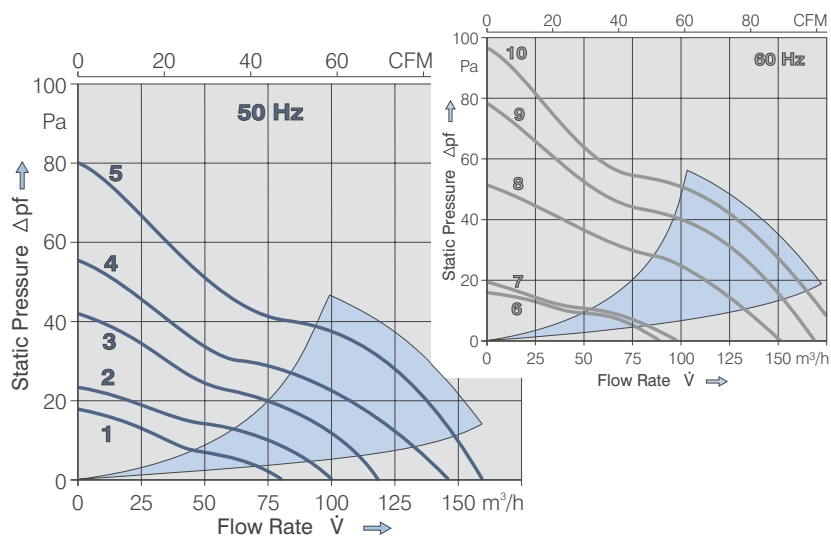
- AC fans with external rotor shaded-pole motor. Impedance protected against overloading.
- Metal fan housing and impeller
- Air intake over struts. Rotational direction CW looking at rotor. Types 4890N and 4840N air exhaust over struts.
- Electrical connection via 2 flat pins 3.0 x 0.5 mm.
- Fan housing with ground lug for screw M4 and UNC.
- Mass 550 g.

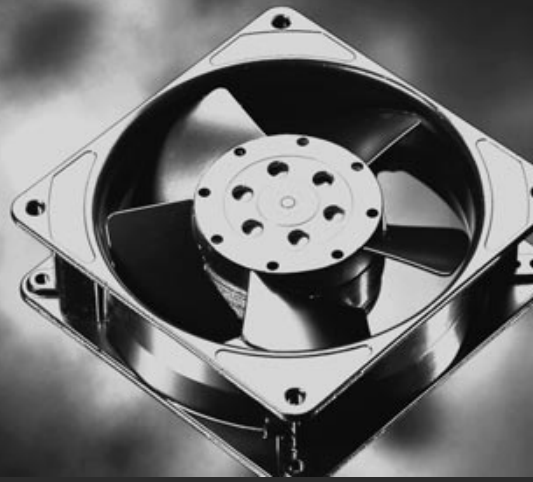
Series 4000N 119x119x38 mm

Air Flow		Nominal Voltage	Frequency	Noise	Sinter-Sleeve Bearings	Ball Bearings	Power Input	Nominal Speed	Temperature Range	Service Life L_{10}		Curve	Type
m ³ /h	CFM									at 40 °C	at t_{max}		
80	47.1	230	50	25	4.0	□	11	1550	-10...+70	55 000 / 27 500		1	4890N
100	58.9	230	50	32	4.4	□	10	1800	-10...+70	57 500 / 27 500		2	4850N
123	72.4	230	50	41	5.2	□	18	2350	-10...+55	40 000 / 27 500		3	4580N
145	85.3	230	50	44	5.4	□	16.5	2550	-10...+55	42 500 / 30 000		4	4550N
160	94.2	230	50	46	5.4	□	19	2650	-10...+55	37 500 / 27 500		5	4650N
160	94.2	230	50	47	5.5	■	19	2650	-40...+85	37 500 / 15 000		5	4656N
85	50.0	115	60	26	4.1	□	10	1650	-10...+75	57 500 / 25 000		6	4840N
97	57.1	115	60	32	4.3	□	9	1750	-10...+75	60 000 / 27 500		7	4800N
151	88.9	115	60	45	5.4	□	16	2700	-10...+65	42 500 / 25 000		8	4530N
169	99.5	115	60	48	5.7	□	15	3000	-10...+65	47 500 / 25 000		9	4500N
180	105.9	115	60	50	5.7	□	18	3100	-10...+60	40 000 / 25 000		10	4600N
180	105.9	115	60	51	5.8	■	18	3100	-40...+90	40 000 / 15 000		10	4606N

Available on request:

- Fan housing with mounting bosses.
- Electrical connection via 2 single leads.





- AC fans with external rotor shaded-pole motor. Impedance protected against overloading.
- Metal fan housing and impeller
- Air exhaust over struts. Rotational direction CW looking at rotor.
- Electrical connection via 2 flat pins 2.8 x 0.5 mm.
- Fan housing with ground lug and screw M4x8 (TORX).
- Mass 540 g.

Series 4000Z 119x119x38 mm

Air Flow		Nominal Voltage	Frequency	Noise	Slittec-Sleeve Bearings	Ball Bearings	Power Input	Nominal Speed	Temperature Range	Service Life L_{10} at 40 °C		Curve	Type
m ³ /h	CFM									Hours	Hours		
100	58.9	230	50	26	4.0	□	13	1700	-10...+65	50000 / 27500		1	4850Z
115	67.7	230	50	30	4.3	□	13	1900	-10...+65	50000 / 27500		2	4580Z
160	94.2	230	50	40	5.3	□	19	2650	-10...+50	37500 / 30000		3	4650Z
160	94.2	230	50	40	5.3	■	19	2650	-40...+75	37500 / 17500		3	4656Z
105	61.8	115	60	28	4.1	□	12	1800	-10...+70	52500 / 25000		4	4800Z
120	70.6	115	60	32	4.4	□	12	2000	-10...+70	52500 / 25000		5	4530Z
180	105.9	115	60	45	5.6	□	18	3100	-10...+60	40000 / 25000		6	4600Z
180	105.9	115	60	45	5.6	■	18	3100	-40...+85	40000 / 15000		6	4606Z

Available on request:

- Electrical connection via 2 single leads 310 mm long.

