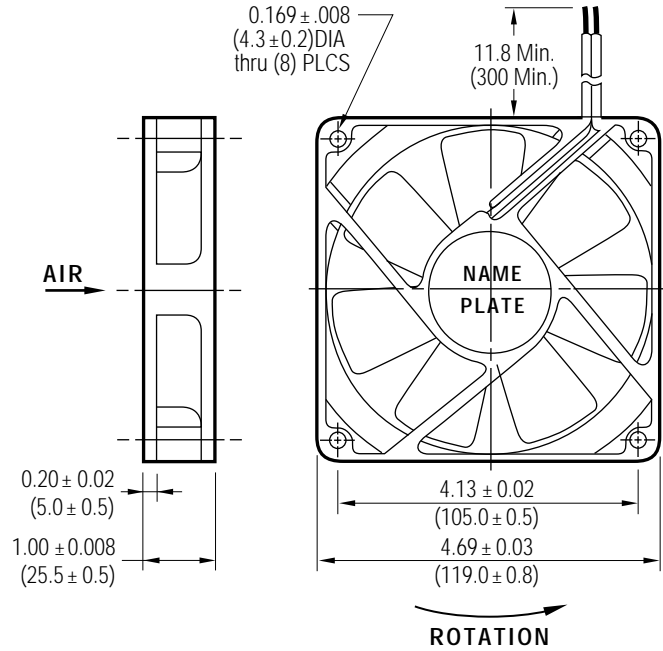


DC 4710NL SERIES FAN

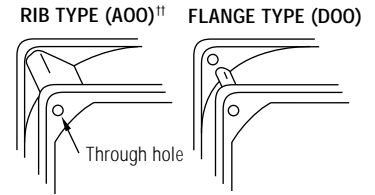
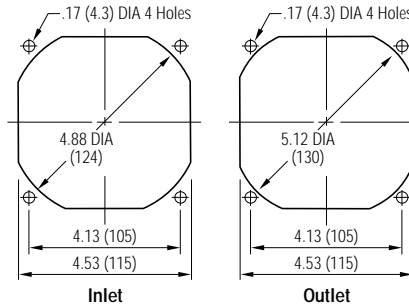


FEATURES:

- Size 4.69 in sq. X 1.00 in (119mm sq. X 25mm)
- Airflow 50 - 92 CFM
- Weight 7.7 oz (220g)
- Noise 27 - 41 dBA
- Lead Wire AWG 24, Red/Black, UL1007, CSA TR-64
- Terminal 0.110 in
- (Optional) Rib type only (LOO)

- Impeller and Venturi UL94V-0 Reinforced plastic

† Non-stock item, may be subject to lead time
 †† Rib-type is a non-stock item, may be subject to lead time



Dimensions are in inches. () are in millimeters

MODEL	VOLTAGE (V)	RANGE (V)	POWER (W)	CURRENT (mA)	SPEED (RPM)	NOISE (dBA)	NOISE NPEL (BELS)				PRESSURE (in H ₂ O)	AIRFLOW (CFM)	MODEL	VOLTAGE (V)	RANGE (V)	POWER (W)	CURRENT (mA)	SPEED (RPM)	NOISE (dBA)	NOISE NPEL (BELS)				PRESSURE (in H ₂ O)	AIRFLOW (CFM)
							100%	80%	60%	20%										100%	80%	60%	20%		
4710NL-04W-B10-D00	12	6-13.8	1.44	120	1550	27	4.33	4.20	4.45	4.43	0.08	59	4710NL-05W-B10-D00	24	10-27.6	1.44	60	1550	27	4.33	4.20	4.45	4.43	0.08	59
B20-D00†	12	6-13.8	1.80	150	1750	30	4.49	4.73	4.68	4.59	0.12	72	B20-D00†	24	10-27.6	2.16	90	1750	30	4.49	4.73	4.68	4.59	0.12	72
B30-D00	12	6-13.8	2.88	240	2050	35	4.88	4.62	5.14	5.02	0.14	80	B30-D00	24	10-27.6	2.88	120	2050	35	4.88	4.62	5.14	5.02	0.14	80
B40-D00†	12	6-13.8	4.08	340	2300	38	5.09	5.18	5.31	5.26	0.15	83	B40-D00†	24	10-27.6	4.08	170	2300	38	5.09	5.18	5.31	5.26	0.15	83
B50-D00	12	6-13.8	6.84	570	2550	41	5.58	5.56	5.74	5.53	0.19	92	B50-D00	24	10-27.6	5.76	240	2550	41	5.58	5.56	5.74	5.53	0.19	92

