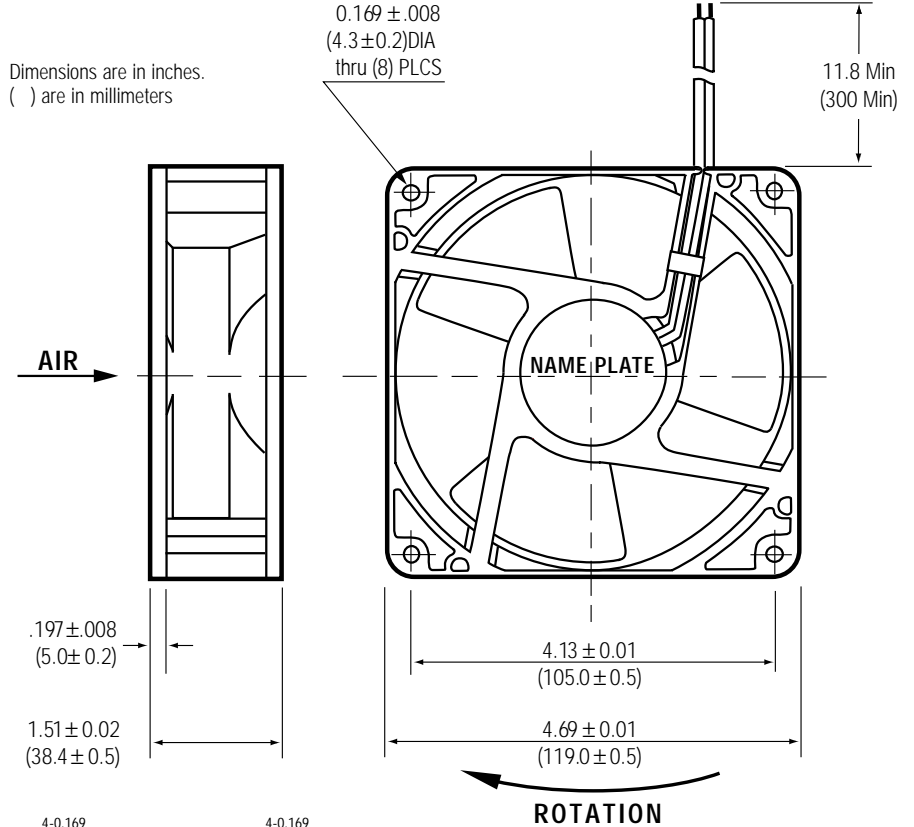
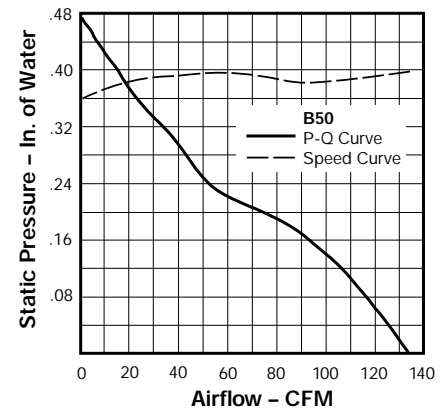
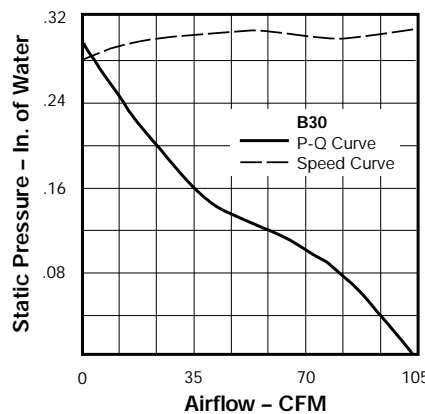
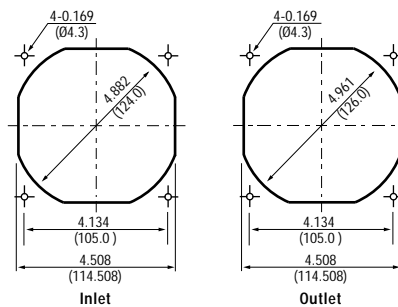


Axial Fans



Features / Benefits

- Size: 4.69 in sq. x 1.51 in (119mm sq. X 38.4mm)
- Low Noise Levels
- Low Weight: 9.17 oz (260g)
- Long life and quiet operation guaranteed by dual ball bearing design, larger ball bearings with brass liner
- Temperature range: -10°C to +40°C (operating range)
- Meets UL/CSA, VDE, CE requirements
- Airflow: 105, 132 CFM
- Lead Wires: AWG24, Red/Black/UL1007
- Applications: Commercial Servers, High-End Servers, and Telecommunications



MODEL NUMBER	VOLTAGE (V)	POWER (W)	CURRENT (mA)	SPEED (RPM)	NOISE (dBA)	PRESSURE (in H ₂ O)	AIRFLOW (CFM)
4715KL-04W-B30-R00	12	5.28	440	3100	47.0	0.30	105
4715KL-04W-B50-R00	12	10.2	850	3900	54.0	0.45	132