

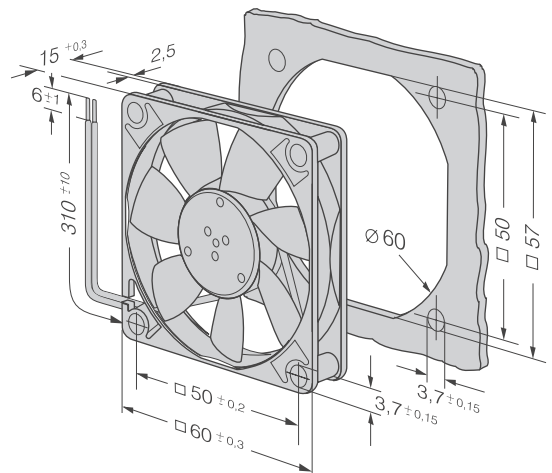
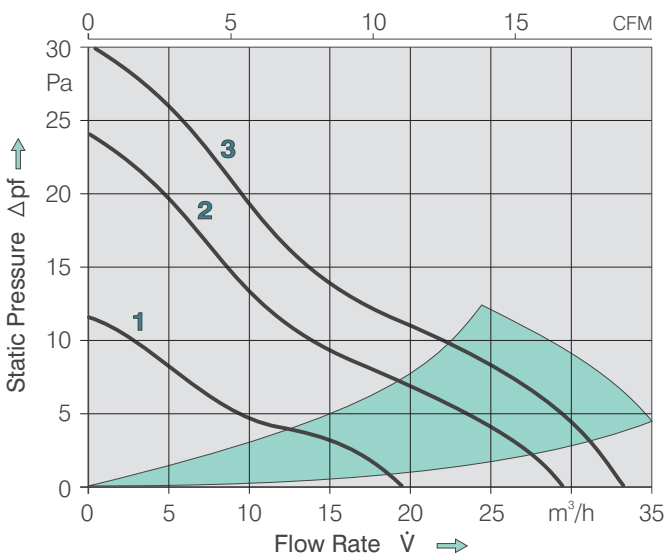
- DC fans with electronically commutated external rotor motor. Fully integrated commutation electronics.
- With electronic protection against reverse polarity. The fan only operates when the polarity is correct. Impedance-protected against blocking* and overloading.
- Fan of fibreglass reinforced plastic. PBT housing, PA impeller.
- Air exhaust over struts. Rotational direction CCW looking at rotor.
- Electrical connection via 2 leads AWG 28, TR 64. Stripped and tinned ends.
- Mass 25 g.

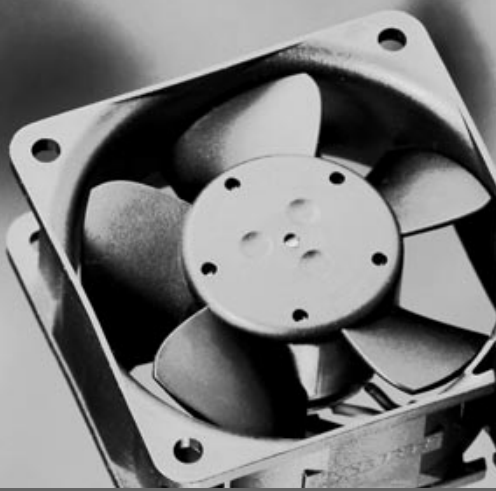
Series 600 F

60 x 60 x 15 mm

Air flow		Nominal Voltage		Noise		Sinter-Sleeve Bearings		Power Input	Nominal Speed	Temperature Range	Service Life L ₁₀		Curve	Type	Specials
m ³ /h	CFM	V DC	V DC	dB(A)	bels	□/■	Watt				Hours	Hours			
29	17.1	5	4.5...5.2	27	4.4	□	1.1	4000	-20...+50	50000/ —	—	2	605 F		
19	11.2	12	11.5...13.2	16	3.6	□	0.4	2650	0...+70	50000/20000	1	1	612 FL		
29	17.1	12	10.8...13.2	27	4.4	□	1.1	3900	-20...+70	50000/20000	2	2	612 F	58	
33	19.5	12	10.0...13.2	31	4.8	□	1.4	4500	-20...+60	45000/15000	3	3	612 FH		
29	17.1	24	21.6...26.4	27	4.4	□	1.1	3900	-20...+70	50000/20000	2	2	614 F		

*Type 612 FH with electronic protection against blocking



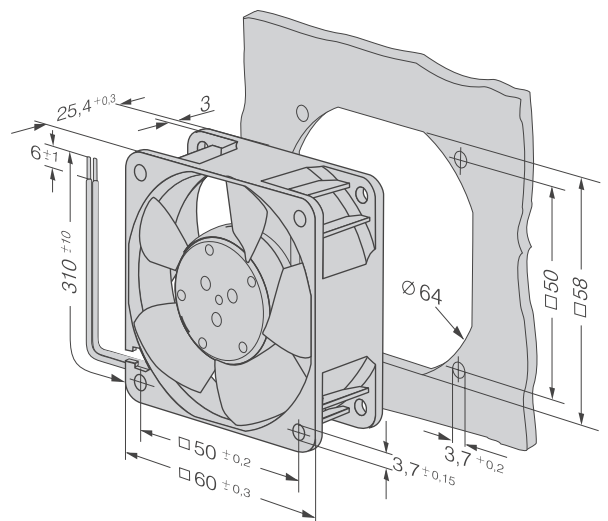
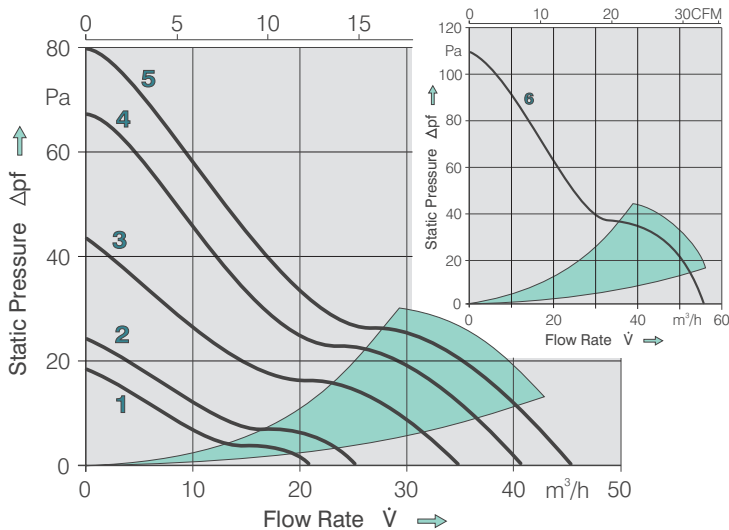


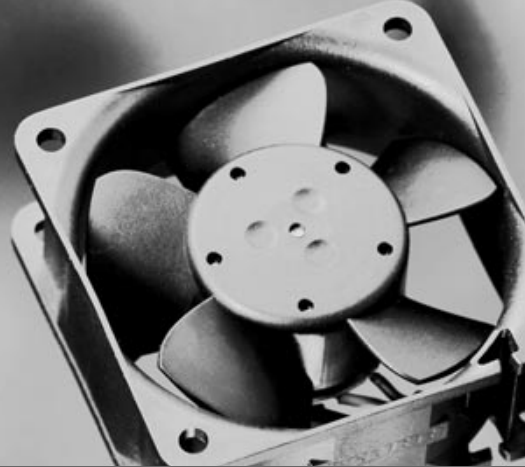
- DC fans with electronically commutated external rotor motor. Fully integrated commutation electronics.
- With electronic protection against reverse polarity, blocking and over-loading.
- Fan of fibreglass reinforced plastic. PBTP housing, PA impeller.
- Air exhaust over struts. Rotational direction CW looking at rotor.
- Electrical connection via 2 leads AWG 22, TR 64. Stripped and tinned ends.
- Mass 85 g.

Series 600N

60 x 60 x 25 mm

Air flow		Nominal Voltage		Noise	Sinter-Sleeve Bearings	Ball Bearings	Power Input	Nominal Speed	Temperature Range	Service Life L_{10}		Curve	Type	Specials
m ³ /h	CFM	V DC	V DC							dB(A)	bels			
21	12.4	12	8...15	16	3.6	□	0.7	2500	-20...+70	80000/40000	1	612NGL		
21	12.4	12	8...15	16	3.6	■	0.6	2500	-20...+70	80000/40000	1	612NL		
25	14.7	12	8...15	19	3.9	□	0.9	3000	-20...+70	80000/40000	2	612NGML		
25	14.7	12	8...15	19	3.9	■	0.8	3000	-20...+70	80000/40000	2	612NML		
35	20.6	12	8...15	28	4.6	□	1.3	4100	-20...+70	80000/40000	3	612NGM		
35	20.6	12	8...15	28	4.6	■	1.1	4100	-20...+70	80000/40000	3	612NM		
42	24.7	12	8...15	35	5.2	■	1.6	5100	-20...+70	70000/35000	4	612NN		
46	27.1	12	8...15	38	5.5	■	2.0	5600	-20...+70	70000/35000	5	612NH		
21	12.4	24	18...28	16	3.6	□	1.0	2500	-20...+70	80000/40000	1	614NGL		
21	12.4	24	18...28	16	3.6	■	0.9	2500	-20...+70	80000/40000	1	614NL		
25	14.7	24	18...28	19	3.9	□	1.2	3000	-20...+70	80000/40000	2	614NGML		
25	14.7	24	18...28	19	3.9	■	1.0	3000	-20...+70	80000/40000	2	614NML		
35	20.6	24	18...28	28	4.6	□	1.7	4100	-20...+70	80000/40000	3	614NGM	60	
35	20.6	24	18...28	28	4.6	■	1.4	4100	-20...+70	80000/40000	3	614NM	58	
42	24.7	24	18...28	35	5.2	■	1.8	5100	-20...+70	70000/35000	4	614NN		
46	27.1	24	18...26	38	5.5	■	2.1	5600	-20...+70	70000/35000	5	614NH		
56	33.0	24	18...26	43	6.3	■	3.0	6850	-20...+70	60000/30000	6	614NHH		
42	24.7	48	36...56	35	5.2	■	2.1	5100	-20...+65	70000/40000	4	618NN	60	





- DC fans with electronically commutated external rotor motor. Fully integrated commutation electronics.
- With electronic protection against reverse polarity, blocking and over-loading.
- Fan of fibreglass reinforced plastic. PBTP housing, PA impeller.
- Air exhaust over struts. Rotational direction CW looking at rotor.
- Electrical connection via 2 leads AWG 22, TR 64. Stripped and tinned ends.
- Mass 85 g.

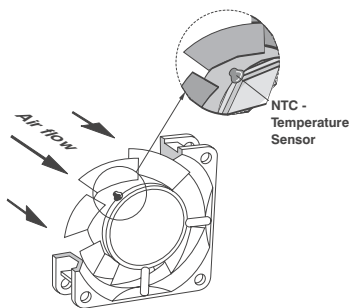
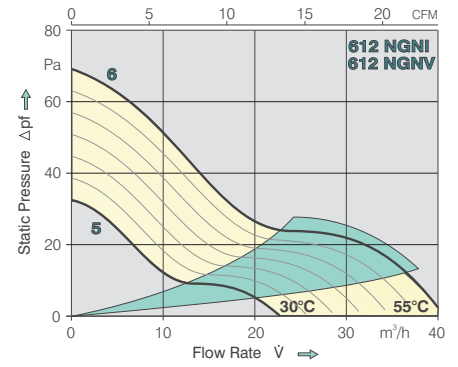
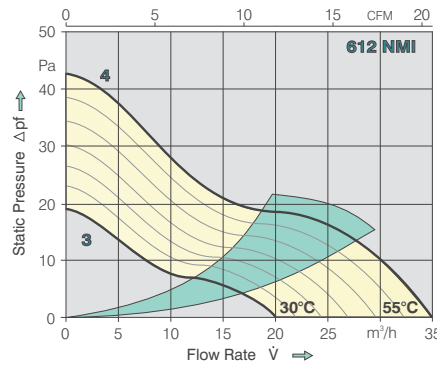
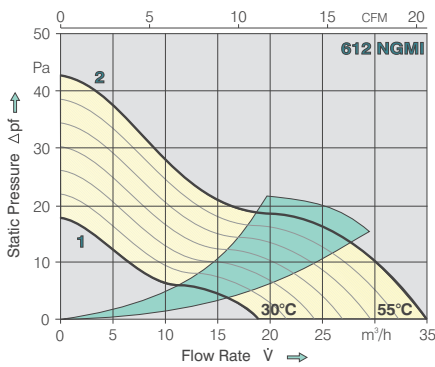
Series 600N

60 x 60 x 25 mm VARIOFAN

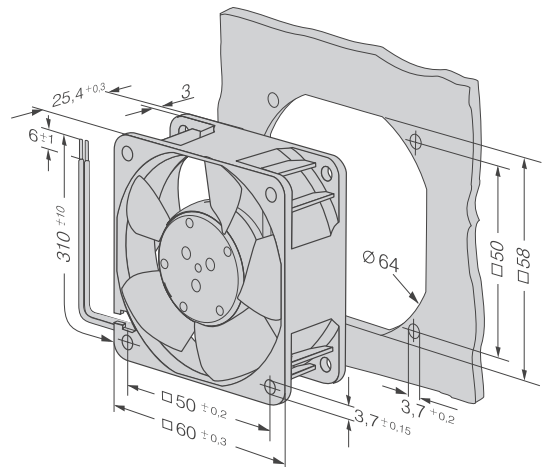
	Air flow		Nominal Voltage	Voltage Range	Noise	Sinter-Sleeve Bearings		Power Input	Nominal Speed	Temperature Range	Service Life L ₁₀ at t _{max}		Curve	Type	Specials
	m ³ /h	CFM				V DC	V DC				dB(A)	bels			
30-55 °C	18	10.6	12	8...12.6	-	-	□	1.3	2 150	-20...+65	80 000 / 45 000		1	612 NGMI	
	35	20.6			28	4.6	1.7	4 100	2						
30-55 °C	20	11.8	12	8...12.6	-	-	■	1.0	2 400	-20...+65	80 000 / 45 000		3	612 NMI	
	35	20.6			28	4.6	1.4	4 100	4						
30-55 °C	23	13.5	12	8...12.6	-	-	□	1.7	2 900	-20...+65	70 000 / 40 000		5	612 NGNI	
	41	24.1			35	5.2	2.4	5 100	6						

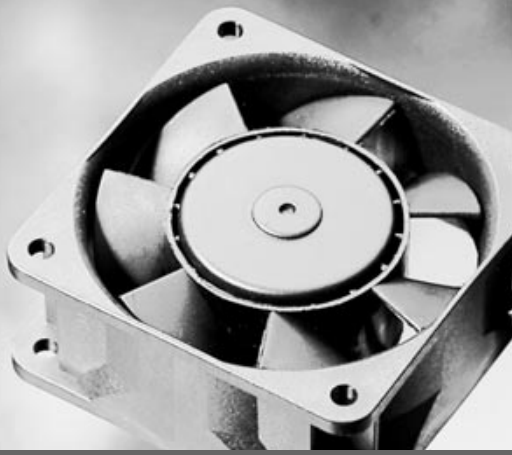
Variants with additional 3rd lead for external temperature sensor

30-55 °C	23	13.5	12	8...12.6	-	-	□	1.7	2 900	-20...+65	70 000 / 40 000		5	612 NGNV	65
	41	24.1			35	5.2	2.4	5 100	6						



Temperature sensor (NTC-resistor) for controlling the motor speed is positioned directly in the air flow.





- DC fans with electronically commutated external rotor motor. Fully integrated commutation electronics.
- With electronic protection against reverse polarity, blocking and overloading by PTC-resistor; partially impedance protected.
- Fan of fibreglass reinforced plastic. PBTP housing, PA impeller.
- Air exhaust over struts. Rotational direction CW looking at rotor.
- Electrical connection via 2 leads AWG 22, TR 64. Stripped and tinned ends.
- Mass 85 g.

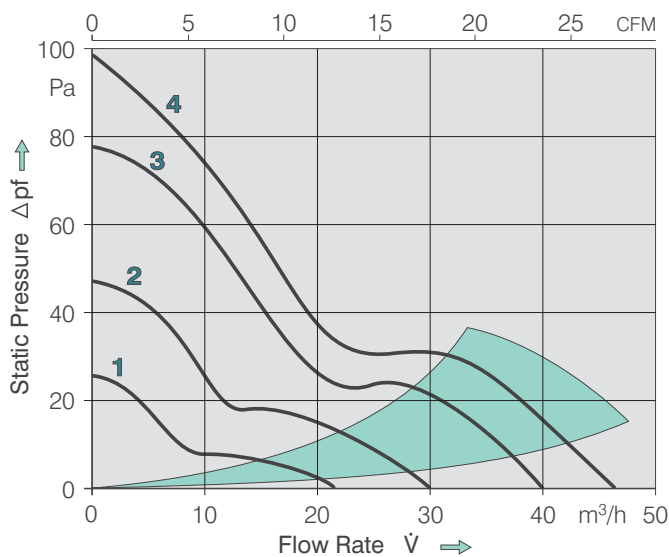
Series 600

60 x 60 x 25 mm

Air flow		Nominal Voltage	Voltage Range	Noise	Sinter-Sleeve Bearings	Ball Bearings	Power Input	Nominal Speed	Temperature Range	Service Life L_{10}		Curve	Type	Specials
m ³ /h	CFM	V DC	V DC	dB(A)	bels	□/■	Watt	min ⁻¹	°C	Hours	Hours			Page
21	12.4	5	4.5...6	26	4.0	■	0.8	3000	-20...+65	80000/45000		1	605L	
21	12.4	12	6...15	24	3.7	□	1.0	3000	-20...+65	80000/45000		1	612GL	
21	12.4	12	6...15	26	4.0	■	0.7	3000	-20...+65	80000/45000		1	612L	
30	17.6	12	6...15	32	4.5	□	1.3	4100	-20...+65	80000/45000		2	612GM	
30	17.6	12	6...15	33	4.6	■	1.3	4100	-20...+65	80000/45000		2	612M	
40	23.5	12	6...15	40	5.1	□	2.8	5300	-20...+65	70000/40000		3	612G	
40	23.5	12	6...15	40	5.1	■	2.5	5300	-20...+65	70000/40000		3	612	
21	12.4	24	12...30	24	3.7	□	1.2	3000	-20...+65	80000/45000		1	614GL	
21	12.4	24	12...30	26	4.0	■	0.8	3000	-20...+65	80000/45000		1	614L	
30	17.6	24	12...30	33	4.6	■	1.4	4100	-20...+65	80000/45000		2	614M	
40	23.5	24	12...30	40	5.1	□	2.9	5300	-20...+65	70000/40000		3	614G	
40	23.5	24	12...30	40	5.1	■	2.5	5300	-20...+65	70000/40000		3	614	
46	27.0	24	12...27.5	44	5.5	■	3.4	6400	-20...+65	70000/40000		4	614H	

Attention:

In the foreseeable future the 600 fan series will be removed from the range and replaced by the products of the new series 600N.



Rotor protrusion
max. 0.4 mm

