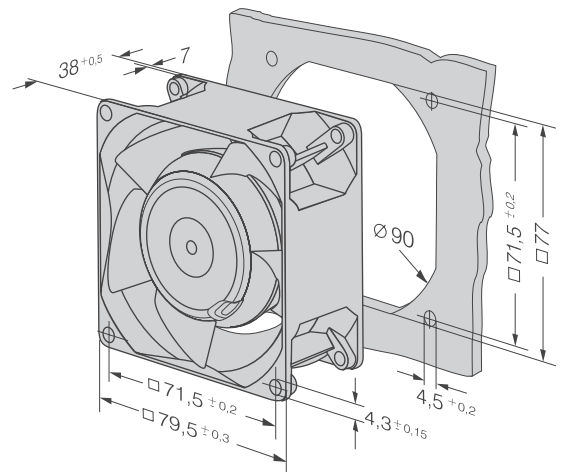
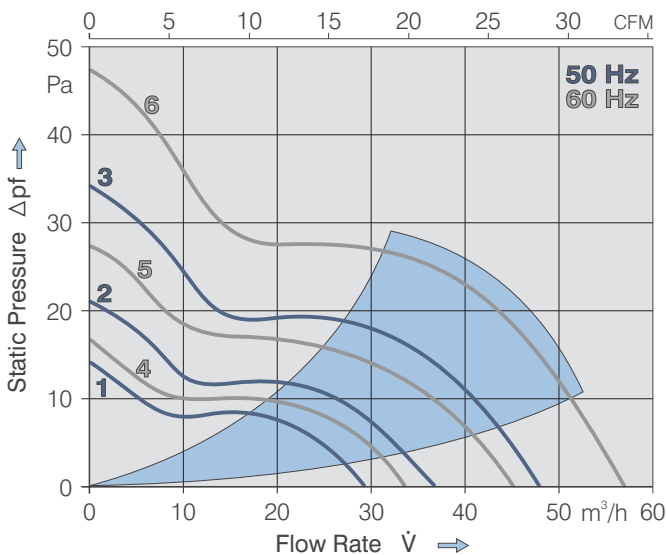
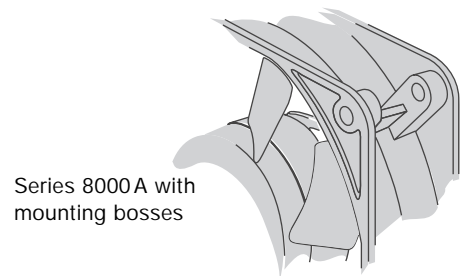


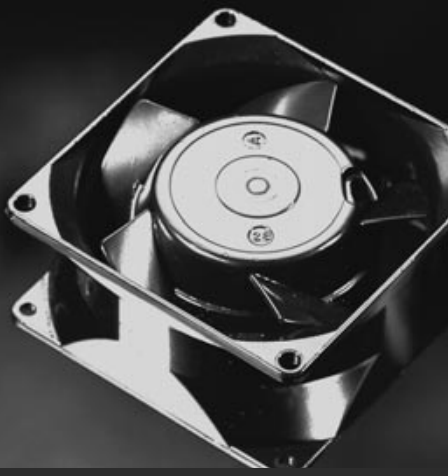
- AC fans with external rotor shaded-pole motor. Impedance protected against overloading.
- Metal fan housing and impeller.
- Air intake over struts. Rotational direction CW looking at rotor.
- Electrical connection via 2 flat pins 2.8 x 0.5 mm.
- Fan housing with ground lug and screw M4 x8 (TORX).
- Mass 490 g.

Series 8000A 80 x 80 x 38 mm

Air Flow		Nominal Voltage	Frequency	Noise		Sinter-Sleeve Bearings		Power Input	Nominal Speed	Temperature Range	Service Life L ₁₀ at 40 °C		Curve	Type
m ³ /h	CFM			dB(A)	bels	□/■	Watt				Hours	Hours		
29	17.1	230	50	26	26	□	9	1750	-10...+80	60000 / 25000		1	8880A	
36	21.2	230	50	31	31	□	12.5	2150	-10...+70	52500 / 25000		2	8850A	
48	28.3	230	50	36	36	□	12	2700	-10...+70	52500 / 25000		3	8550A	
48	28.3	230	50	37	37	■	12	2800	-40...+90	52500 / 15000		3	8556A	
34	20.0	115	60	29	29	□	8	1950	-10...+80	62500 / 25000		4	8830A	
45	26.5	115	60	34	34	□	11	2500	-10...+70	55000 / 27500		5	8800A	
57	33.6	115	60	41	41	□	11	3200	-10...+75	55000 / 25000		6	8500A	
57	33.6	115	60	42	42	■	11	3300	-40...+95	55000 / 15000		6	8506A	

Available on request:
 ■ electrical connection via single leads
 ■ air exhaust over struts, rotational direction CW





- AC fans with external rotor shaded-pole motor. Impedance protected against overloading.
- Metal fan housing and impeller.
- Air exhaust over struts. Rotational direction CW looking at rotor.
- Electrical connection via 2 leads. Stripped and tinned ends.
- Fan housing with ground lug for screw M4x8 (TORX).
- Mass 490 g.

Series 8000 N 80 x 80 x 38 mm

Air Flow		Nominal Voltage	Frequency	Noise	Sinter-Sleeve Bearings	Ball Bearings	Power Input	Nominal Speed	Temperature Range	Service Life L_{10}		Curve	Type
m ³ /h	CFM	V	Hz	dB(A)	bels	□/■	Watt	min ⁻¹	°C	Hours	Hours		
30	17.7	230	50	18	3.3	□	9	1750	-10...+80	60000 / 25000		1	8880 N
37	21.8	230	50	24	3.9	□	12.5	2150	-10...+70	52500 / 25000		2	8850 N
50	29.4	230	50	30	4.4	□	12	2700	-10...+70	52500 / 25000		3	8550 N
50	29.4	230	50	31	4.5	■	12	2800	-40...+90	52500 / 15000		3	8556 N
36	21.2	115	60	21	3.7	□	8	1950	-10...+80	62500 / 25000		4	8830 N
47	27.7	115	60	28	4.3	□	11	2500	-10...+70	55000 / 27500		5	8800 N
61	35.9	115	60	34	4.8	□	11	3200	-10...+75	55000 / 25000		6	8500 N
61	35.9	115	60	35	5.0	■	11	3300	-40...+95	55000 / 15000		6	8506 N

Fan Type				Lead Wires	
8830 N	8800 N	8550 N	8500 N	310 mm long	AWG 18, TR 64
8556 N	8506 N			310 mm long	AWG 22
8880 N	8850 N			440 mm long	AWG 18, TR 64

