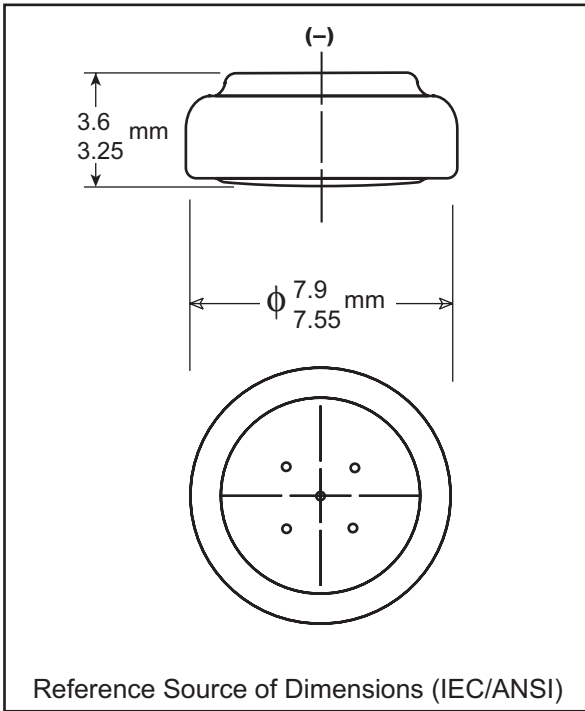


DURACELL® EasyTab®

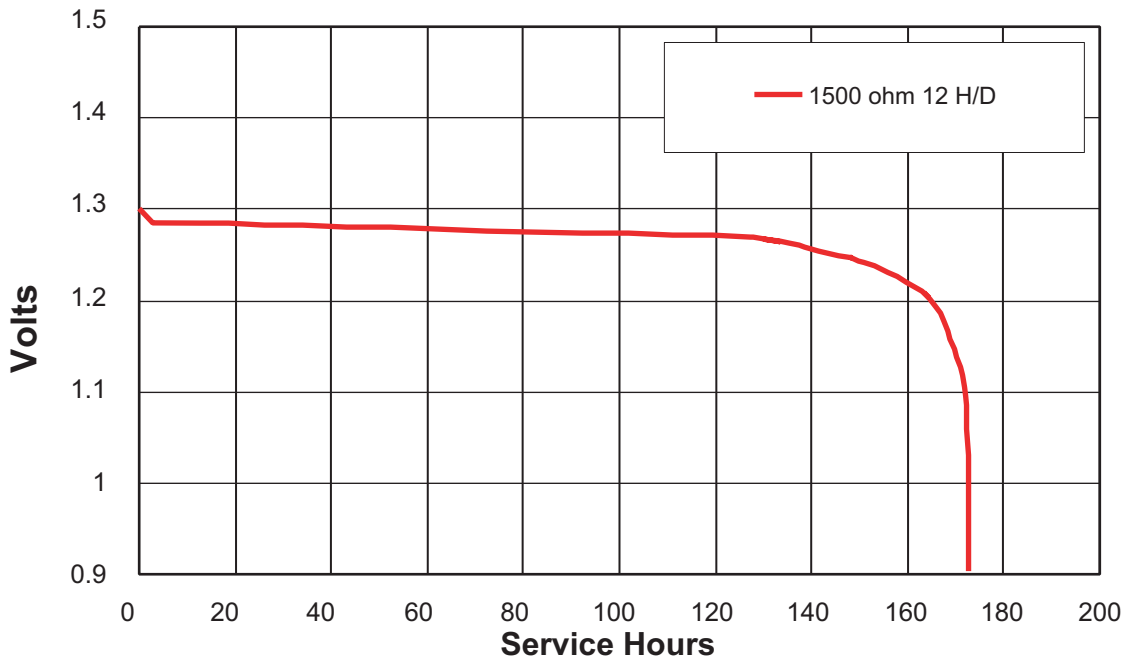
312 Zinc Air Battery

Zn/O₂



Nominal Voltage:	1.4 V
Rated Capacity:	150 mAh at 1500 ohm to 1.1 V at 21°C (70°F)
Nominal Internal Impedance:	7.5 ohm @ 1kHz
Average Weight:	0.5 gm
Volume:	0.18 cm ³
Terminals:	Flat
Operating Temperature Range:	0°C to 50°C (32°F to 122°F)
ANSI:	7002 ZD
IEC:	PR41

Typical Discharge Characteristics at 21°C (70°F)



DURACELL®
BATTERIES

Berkshire Corporate Park
Bethel, CT 06801 U.S.A.

Internet: www.duracell.com
Telephone: Toll-free 1-800-544-5454

* Delivered capacity is dependent on the applied load, operating temperature and cut-off voltage. Please refer to the chart and discharge data shown for examples of the energy / service life that the battery will provide.